



# SmartBright Slim Panel - RCA

## RC091V LED34S/840 PSU W60L60 RU

SmartBright Slim Panel provides the most affordable LED solution. As an edge light architecture, SmartBright Slim Panel delivers comfortable light with Excellent uniformity.

### Product data

General Information	
Beam angle of light source	120 °
Light source color	840 neutral white
Light source replaceable	No
Number of gear units	1 unit
Driver/power unit/transformer	Power supply unit external
Driver included	Yes
Optic type	Symmetrical
Luminaire light beam spread	120°
Connection	Connection unit 2-pole
Protection class IEC	Safety class II
Glow-wire test	Temperature 650 °C, duration 30 s
Warranty period	3 years
Constant light output	No
RoHS mark	RoHS mark
Operating and Electrical	
Input Voltage	220 to 240 V
Input Frequency	50 or 60 Hz
Power Factor (Min)	0.9

Controls and Dimming	
Dimmable	No
Mechanical and Housing	
Housing Material	Metal
Optic material	Methyl methacrylate and styrene monomer
Optical cover/lens material	Polypropylene
Fixation material	Aluminum
Optical cover/lens finish	Frosted
Overall length	595 mm
Overall width	595 mm
Overall height	30.5 mm
Approval and Application	
Ingress protection code	IP20 [ Finger-protected]
Mech. impact protection code	IK03 [ 0.3 J]
Initial Performance (IEC Compliant)	
Initial luminous flux (system flux)	3400 lm
Luminous flux tolerance	+/-10%
Initial LED luminaire efficacy	95 lm/W
Init. Corr. Color Temperature	4000 K

## SmartBright Slim Panel - RCA

Init. Color Rendering Index	>80
Initial chromaticity	SDCM<6
Initial input power	34 W
Power consumption tolerance	+/-10%

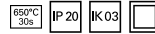
### Application Conditions

Ambient temperature range	-10 to +40 °C
Maximum dim level	Not applicable
Suitable for random switching	No

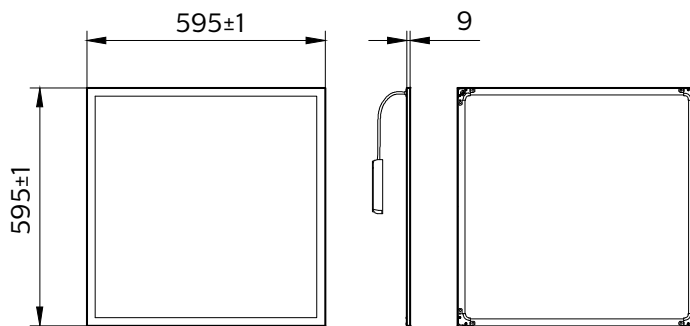
### Product Data

Full product code	911401714952
-------------------	--------------

Order product name	RC091V LED34S/840 PSU W60L60 RU
EAN/UPC - Product	8710163317342
Order code	911401714952
Numerator - Quantity Per Pack	1
Numerator - Packs per outer box	6
Material Nr. (12NC)	911401714952
Net Weight (Piece)	1.800 kg



## Dimensional drawing



RC091V LED26S/LED36S PSU

