

ATOM FORTIMO HIGH BAY

Industrial luminaires for high ceilings

LED module, lumen-level solutions,
10K, 15K, 20K, 24K lm



YOUR MAIN BENEFITS:

This High bay portfolio is suitable to replace similar solutions using conventional 100W, 150W, 250W and 400W.

ATOM FORTIMO HIGH MODULE



FIELD OF APPLICATION:

The ATOM Fortimo High bay is an integrated solution with IP65 protection, excellent optical and heat management that offers high energy efficacy and high quality of light. The High bay solution is designed to enable LED lighting in industry (high-bay) applications-warehouses, factories, large-format retail stores.

When using outdoors, the fittings should be protected against direct sunlight and adverse weather conditions.

TECHNICAL DESCRIPTION AND BENEFITS:

Housing: Housing components of diecast aluminum.

Diffuser: Standart angle is 120°. If need to make less angle of luminous flux levels it needs to use aluminum reflector in two construction sizes 60° and 90° for two different luminous flux levels.

Way of installing: Suspension by means of bolt ring M10 (accessor included) or via adjustable bracket (on request).

Electrical components: Dimmable Philips Xitanium High Bay driver are specially designed for maximum reliability and core exibility in low voltage outdoor applications. With superior surge protection, these durable, independently housed drivers deliver consistent, high performance to luminaires even after multiple indirect lightning strikes.

IP65

IK07

230V



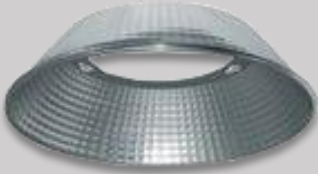

F

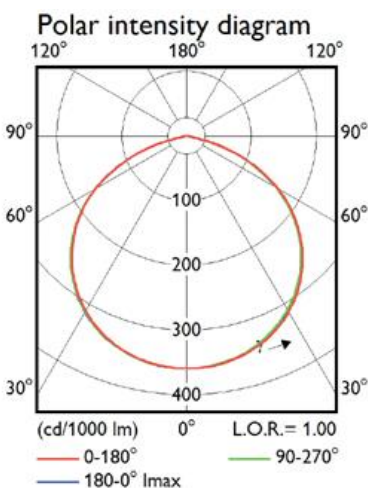


TECHNICAL DATA:

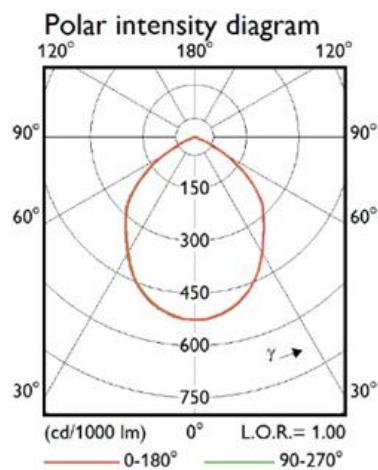
Description	Unit	Atom Fortimo High Bay 10KLM	Atom Fortimo High Bay 15KLM	Atom Fortimo High Bay 20KLM	Atom Fortimo High Bay 24KLM
Power	W	85	120	160	200
Luminous Flux	Lm	10 000	15 000	20 000	24 000
Lumen Efficacy	Lm/W	>140Lm/W			
Operating current	mA	1050			
Beam Angle		60° /90°			
CCT	K	4000 / 5700			
Color Consistency	SDCM	6			
CRI(Ra)		80			
Lifetime		>50Khrs@B50L70, Ta 35C			
Operating temperature	°C	-40 °C +50			
IP protection		IP65			
Insulation Class		Class1			
Dimmer		1-10V Dimmable			
Dimensions		270 x 110	270 x 110	270 x 110	310 x 115

ACCESSORIES:

Reflector 60° and 90°	
Suspension brackets	



Atom Fortimo High Bay 10KLM
without reflector



Atom Fortimo High Bay 10KLM with 90°
reflector

